
7694 Cables, Loader Unit

	Description	HP Part No.
1	Ground-position set board cable	500-120-HSP
2	PCB position set	415-307-HSP
3	Motor assembly	301-219-HSP
4	Main board—position set board cable	500-105-HSP
5	Wiring, microswitch fork assembly	500-115-HSP
6	Servomotor	425-024-HSP
7	Position set—microswitch cable	500-091-HSP
8	Potentiometer assembly	304-2490002-HSP

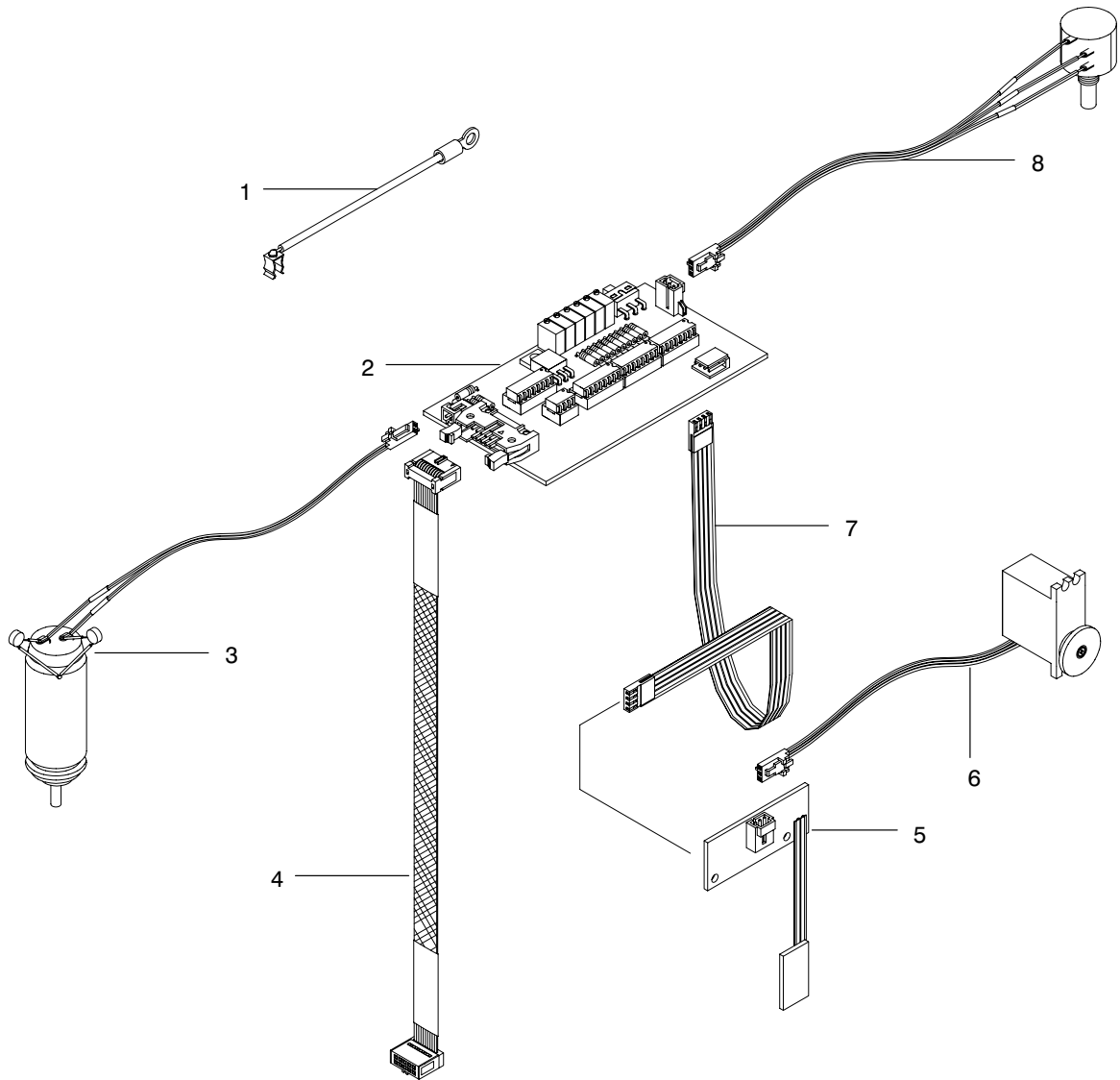


Figure 8-3. Loader Unit Group